

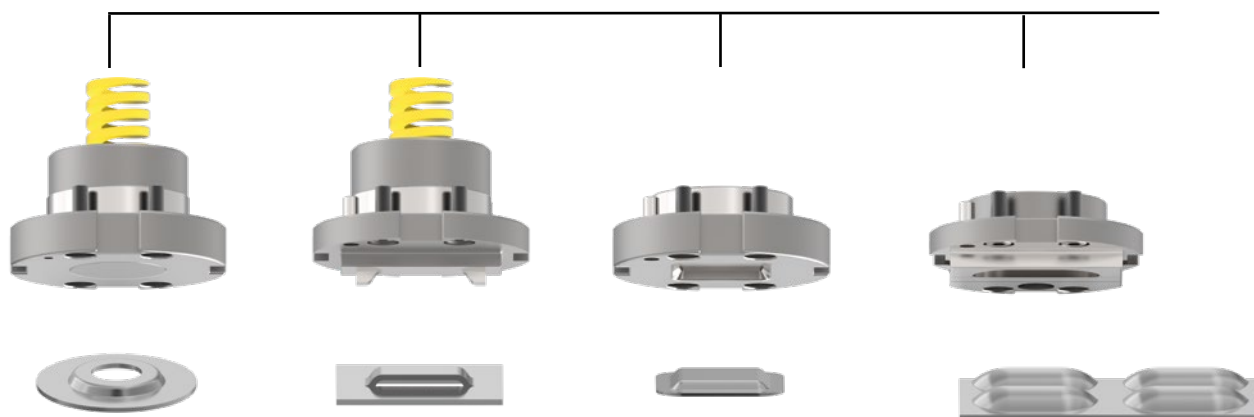
# ps:<sup>®</sup>basic

FOR MACHINE TYPE THICK TURRET

- cost savings due to standardised guide assembly for embossings upwards
- fast and easy changing of the embossing die



Inserts



Link to newsletter



TRUMPF

THICK TURRET

SALVAGNINI